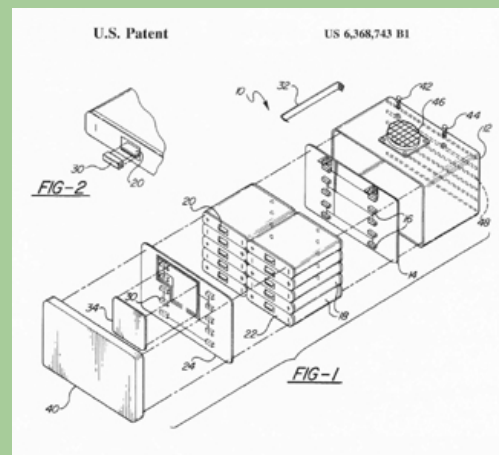




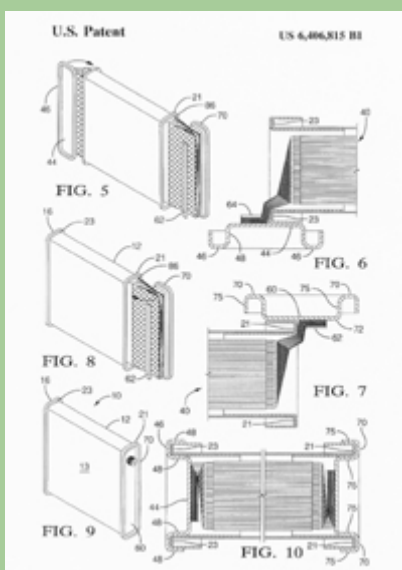
Senior Engineer

Mr. Benson, an engineer with 24 years experience in Research and Development, New Product Design and Product Manufacturing is the senior engineer and president of ACE Manufacturing Services LLC. After working in the Research and Development field for 13 years and 11 years in New Product Design and Product Manufacturing supporting different manufacturing programs in the U.S., Japan, Portugal and Korea, he specializes in turnkey managing New Product Launch Programs and managing manufacturing projects for small and large companies along the U.S. Mexico Border region.

During the 1980's Mr. Benson was the recipient of two new product design awards and was published in the Taunton Press "Design Book Three" and "Design Book Four". Aside from the two designs that were published in the books, he was also featured in eleven magazine articles. While working on several machine designs and developing new manufacturing processes for various automotive products, he was chosen to represent the North American division of Yasaki at the "Yasaki Technology Conference" in Tokyo. At the Tokyo Technology Conference he presented two of his inventive processing machines for manufacturing wiring harnesses, which were submitted for two Japanese patents by Yasaki.



U.S. Patent 6,368,743



U.S. Patent 6,406,815

Mr. Benson after working on numerous automotive products in the 1990's submitted for seventeen (17) patents and has been awarded seven (7) U.S. patents, one (1) European patent and three (3) German patents. Mr. Benson holds a B. S. in Mechanical Engineering from the University of Texas at El Paso, is a member of SME (Society of Manufacturing Engineers), the ISA Instrumentation, Systems and Automation Society), the ASQ (American Society for Quality) and the El Paso Chamber of Commerce. Mr. Benson has held the title of Senior Engineer at his previous Fortune 500 corporate positions and through those positions has networked with many talented engineers across the globe. Combining Mr. Benson's broad new product and senior engineer experience, the network of other talented engineers and the proximity of the Maquiladora Industry, Inventors and Designers and Maquiladoras can receive manufacturing services with the same clot as the Fortune 500 companies. Inventors, Designers and Maquiladoras can engage Mr. Benson services through this web site for turnkey managing their various manufacturing projects.